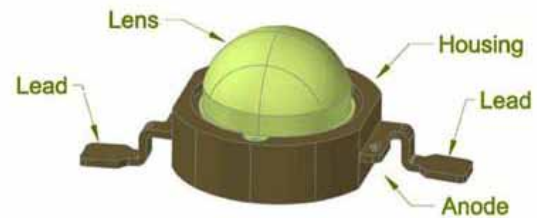
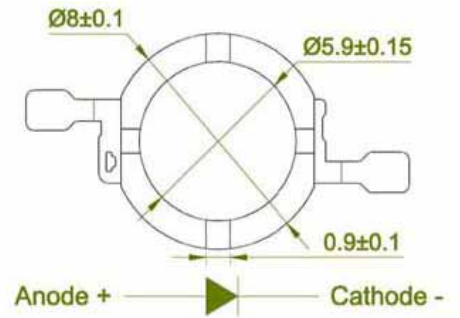
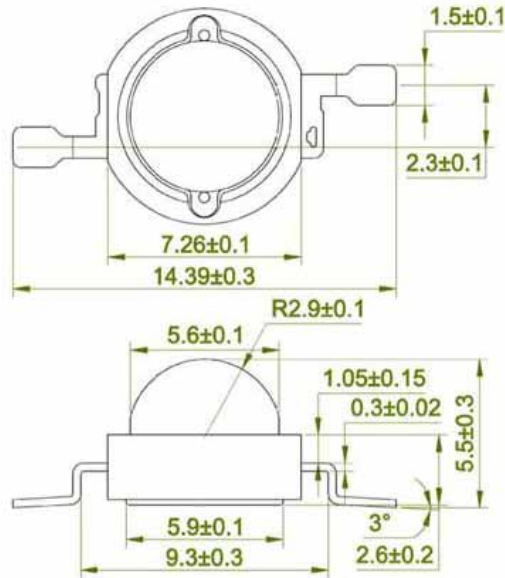


ES-3W White 220Lm 6000K



ABSOLUTE MAXIMUM RATING:

Symbol	Absolute Maximum Rating	Units
IF	800	mA
TJ	120	°C
Vr	-5	V
IR	<10	μA
Topr	-30 ~ +80	°C
Tstg	-40 ~ +105	°C
Tapr	80	°C
Tsld	260 °C, TIME: 5 seconds	°C

TYPICAL OPTICAL/ELECTRICAL CHARACTERISTICS:

Symbol	Condition	Min.	Typ.	Max.	Units
Φ	700mA	200	210	220	mA
Tc	700mA	6000	6250	6500	°C
VF	700mA	3.25	3.50	4.00	V
$2\theta_{1/2}$	700mA	140			μA

