

## LW-1250-2811 RGB 5V

## LW-1250-6803 RGB 5V



### Features

1. Potting process, Highly IP rating protection, achieve IP 65
2. Easy installation to save your project time.
3. Use high brightness, low lumen depreciation, stable, and long service life LED
4. With Ledwalker DMX controller, it can achieve color fading, skipping, scanning, chasing, and play flash and video, etc.

### Application

Logo, sign, Plaza, Entertainment place etc.

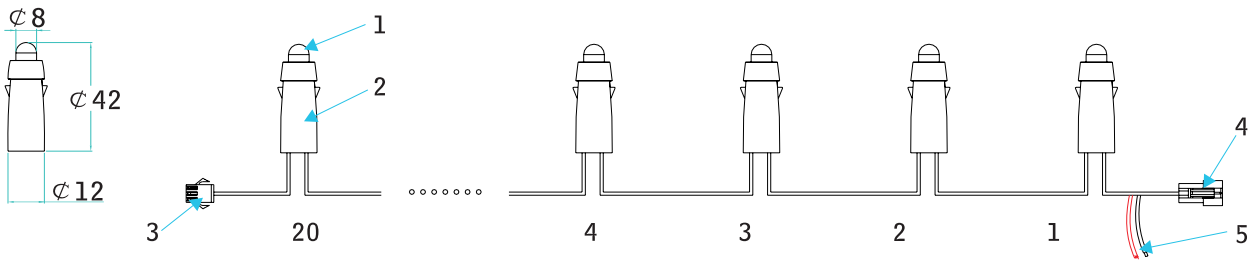
### Warranty

The warranty is 2 years . If the product proves defective within the warranty period , Ledwalker will repair or replace the defective product . If the failure is due to an operator , the user accepts the responsibility to any costs incurred in the shipping , maintenance , materials .

### Parameters

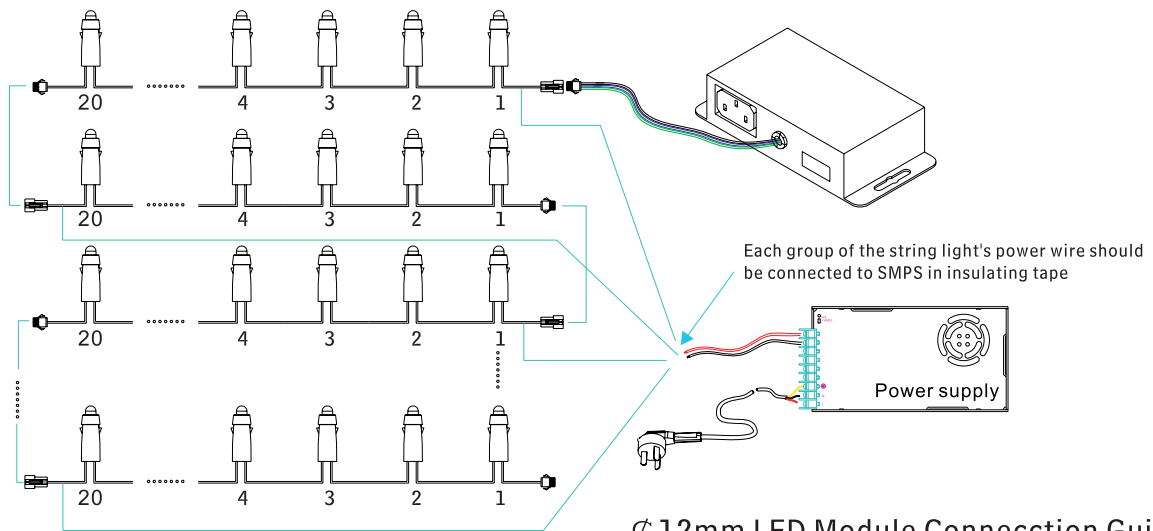
Items	12mm Module	30mm Module
Number	LW-202-00031	LW-203-00001
Working voltage(Unit:V)	DC 5V	DC 12V
Maximum Power(Unit:W)	0.3W	0.72W
Pixels(Unit:pcs)	60mA	60mA
IP grade		Ip65
Temperature(Unit:°C)		-20 ~ +50 °C
Protocal		IIC
LED Spec	F8 Plug-in LED	SMD 5050
LED Qty(Unit:smd)	1	3
beam angle	8°、 16°、 25°、 30°、 45°、 60°(any beam angle are available )	

## Dimension (Unit: mm)



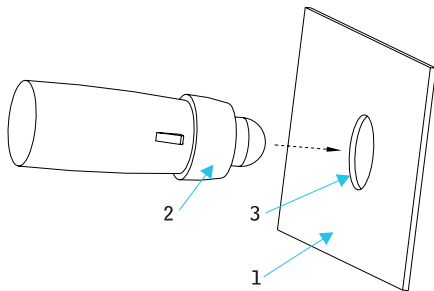
No.	1	2	3	4	5
Name	LED	LED Cover	Output	Input	Input Power Cable
Qty	1	1	1	1	1

## Connection



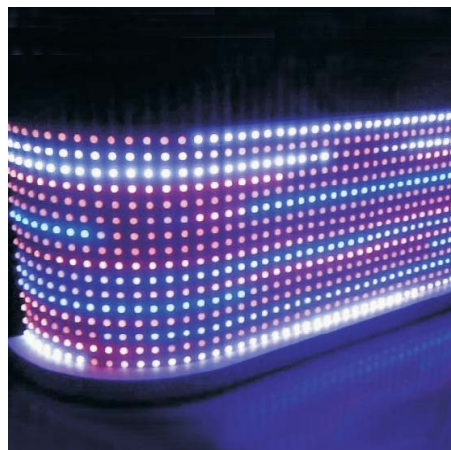
Φ 12mm LED Module Connection Guide

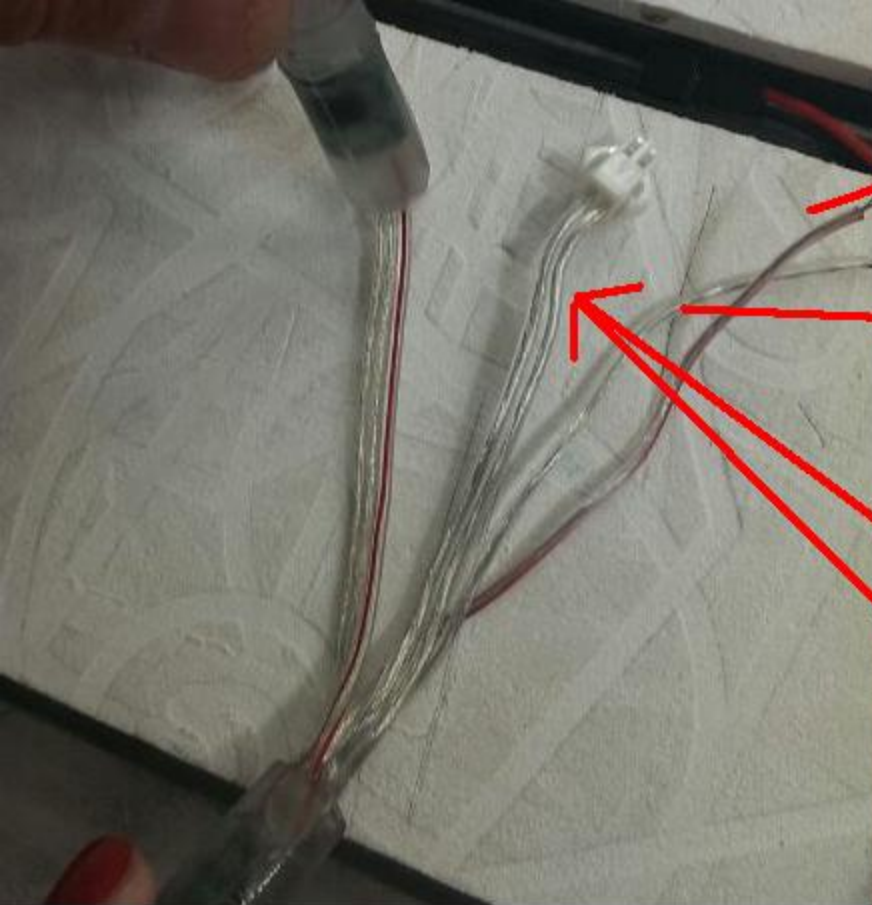
## Installation details



- 1---Product
- 2---Installation Plate
- 3---Installation Slot

Φ 12mm LED Module Installation Drawing





bare red cable: DC5V+

bare transparent cable: GND

red cable with cap: DATA(DO/DI in PCB)

transparent cable with cap: GND

