



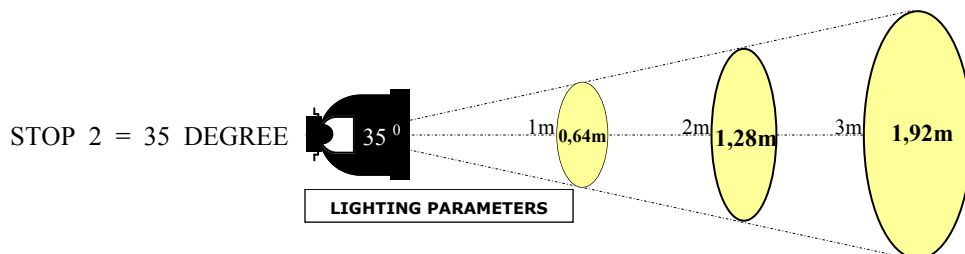
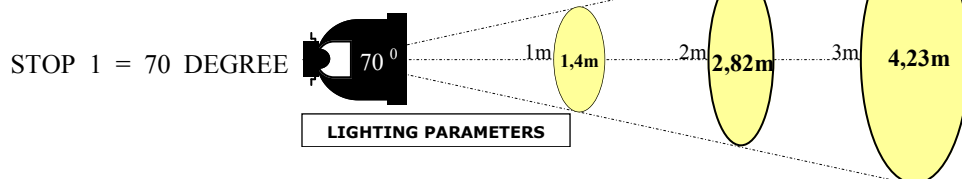
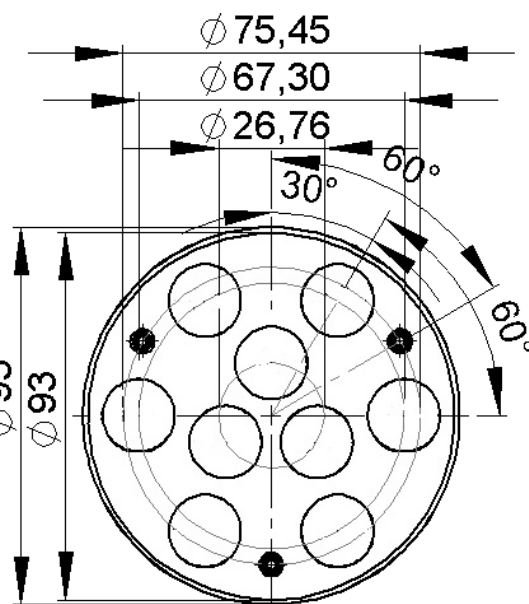
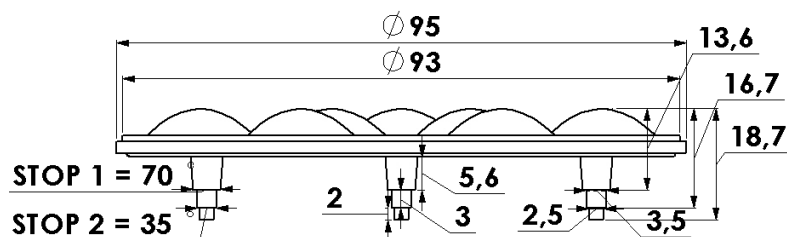
| ANGLE       | CODE    |
|-------------|---------|
| 35 ° & 70 ° | 9B3570D |



LED Type



|              |                 |
|--------------|-----------------|
| BOX QUANTITI | 126 P C S       |
| BOX SIZE     | 36 X 33 X 18 CM |
| BOX WEIGHT   | 4,900 Kg        |



**TURLENS USE:** Street Lighting , Office Lighting , Home Lighting , Stage Lighting ,

Architectural Lighting , Down Light Lighting , Decorative Lighting

### Lens INFO

Lens Material : Optical Grade Best Available Optical Efficiency

Lens Material : with high UV & Temperature Resistance -40°C ~ + 100°C

Lens Material : Light Transmittance High Productivity with 2mm Thickness

